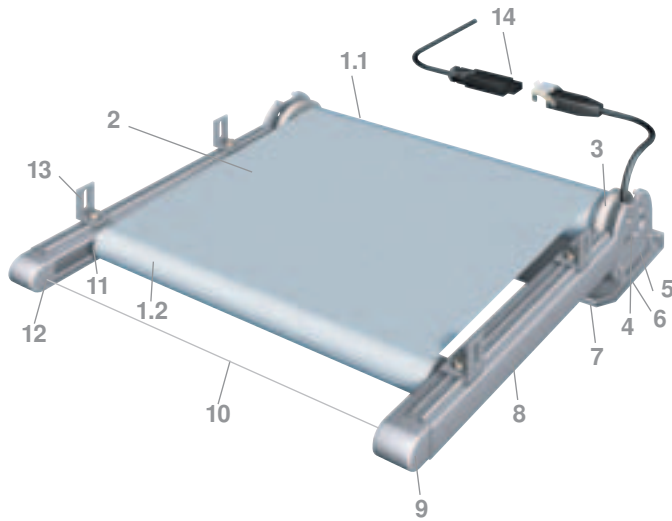


# Ceiling roller blind WG.F.08

## Description



### Application

Anti-glare protection and visual privacy as well as protection against summer heat.  
For indoor areas, vertical, horizontal or sloping installation.  
Units can be mounted between or underneath the rafters.  
Several alternatives are available for mounting, see technical information.

### Operation

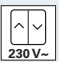
**230 V AC motor (08), with integrated limit switching mechanism.**  
Detailed description of types of drive and operating types, page 459.

Works on the principle of a tensioning system.

For extending the fabric is rolled off the fabric shaft and at the same time the textile tension element (Texband) is wound on. The difference between the two winding diameters is compensated for by the spring mechanism integrated into the drop tube. Optimum fabric tension through pre-tensioning of the spring mechanism.  
Up to 4 blinds can be coupled.

In order to prevent the curtain from sagging, thin plastic coated steel tension cords are installed running horizontally over the blind for certain unit sizes.

## Construction limit values in mm

Operation		Order width		Order height		Surface area in m <sup>2</sup>
		min.	max.	min.	max.	
08 	Single units	600	1300	600	4500	5.8
	Coupled units		5200 <sup>1)</sup>		3500	

<sup>1)</sup> Max. 4 blinds

### Shaft (1)

#### Fabric shaft (1.1)

Material: aluminium, extruded  
Dimensions (Ø): 50 mm  
Profile: groove tube  
Surface: plain

#### Spring-loaded shaft (1.2)

without lock  
Material: steel, corrosion-resistant  
Dimensions (Ø): 36 mm

### Curtain (2)

Fabric quality  
grades and designs: in accordance with latest WAREMA collection.

Special designs not included in the valid WAREMA collection are only available upon request and are subject to surcharge. Please observe the information concerning the suitability of ceiling roller blinds in our collections.

### Tape disc (3)

### Motor plate (4)

### Bracket (5)

### Retaining profile (6)

### Cover panel (7)

Cover panel  
Material: aluminium  
Dimensions (W): 150 mm  
Profile: folded  
Surface: powder-coated

### Lateral guide (8)

#### Rail

as single or double rail  
Material: aluminium, extruded  
Dimensions (W x H): single rail 31 x 36 mm  
Double rail 54 x 36 mm  
Surface: powder-coated  
Plastic parts: white

The blind runs outside the rails with a gap of 15 mm on each side.

### End cap (9)

### Tension cable (10)

### Runner (11)

### Tension wire fixing (12)

### Mounting angle (13)

### Plug with connection (14)

### Colours

Aluminium parts with chrome-free pretreatment are powder-coated according to latest RAL classic colour chart (with the exception of camouflage and fluorescent colours) or are available in DB 701, 702, 703 as well as eight textured colours (W4914–W4921), four colours with simulated anodised finish (WC31–WC34) as well as additional colours in accordance with the WAREMA standard colour range (in WAREMA colour specification).  
Other colour specifications and special colours are available on demand for an additional charge.