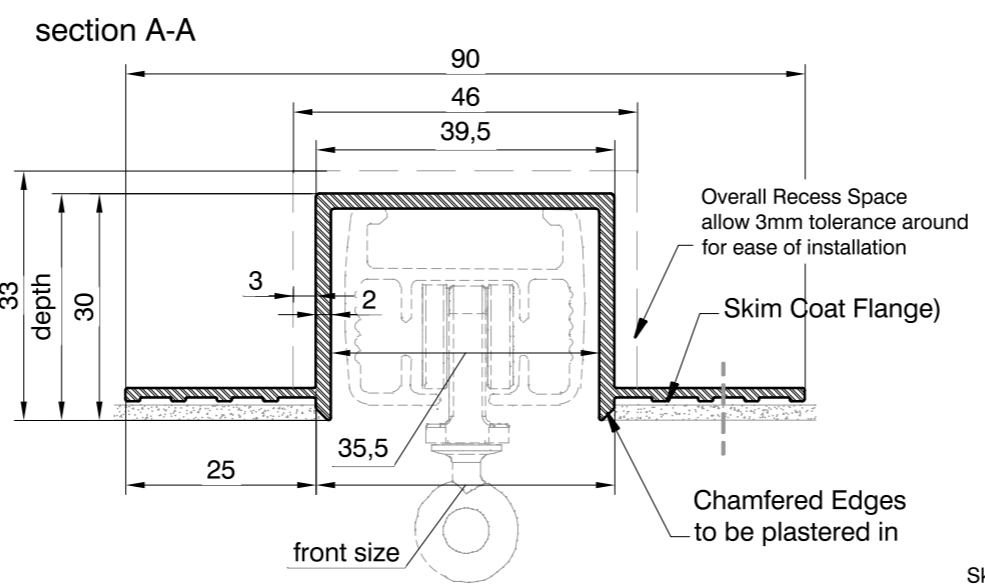
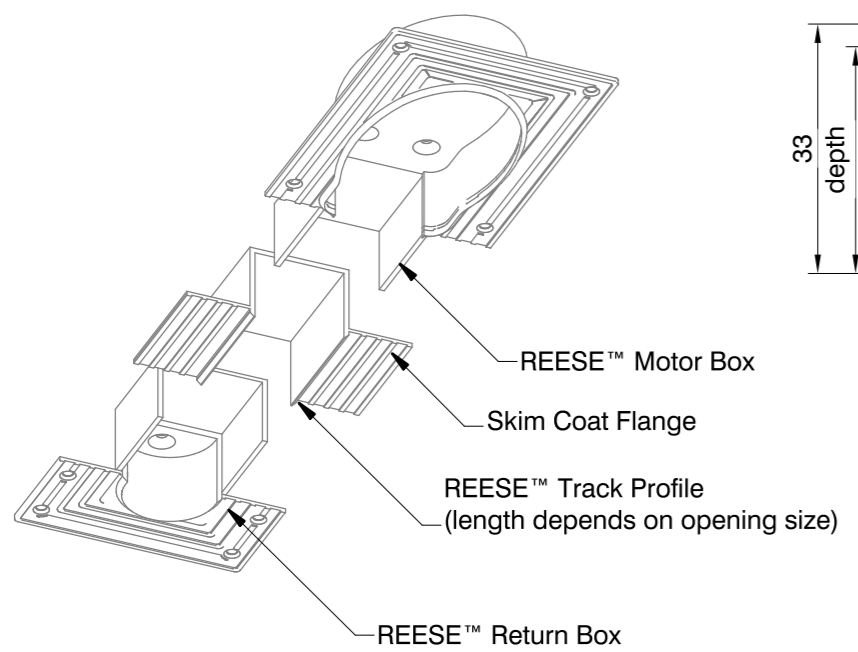


1:2 scale

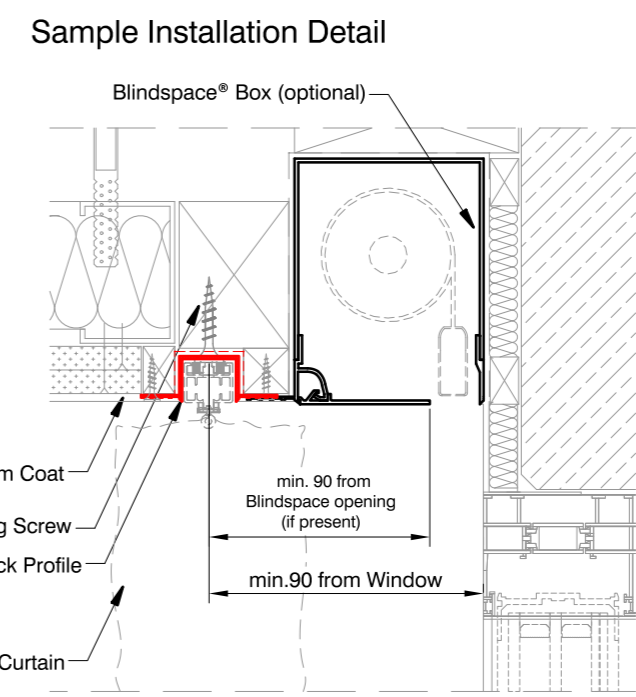
REESE™ Return Box
item: SRB1F

REESE™ Track Profile
item: RT1F

REESE™ Motor Box
item: SMB1F
1:2 scale

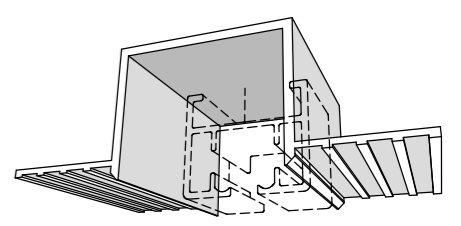


1:1 full scale



1:5 scale

Product	Reese S1F
Description	Recessed profiles to house curtain tracks
Material	U-profile: Anodized Aluminium, grade: EN 6060 T66 End cap: Plastic POM Polymer
Finishes	White to be plastered in and decorated at site to match ceiling.
Tracks sizes	Curtain Tracks Sizes to fit inside the profiles: space available for third party track profile: W35xH27
Installation	Anchoring with countersink screws through profile walls near the center of profiles are recommended. The finished plaster level should be flush with chamfered edge.
Drawing	Standard Reese Track system S1F
Item name	RT1F, SMB1F, SRB1F
Notes	Dimensions in mm Do not scale from drawing
Drawn by	M. Kozak
Approved	A. Sundelin
Revision	change: R-01 first issue R-02 naming change date: 2018-01-11 2018-04-17



Print date	2018-04-18
Print file	reese s1f v01.dwg
Page size	ISO A3 420x297
Remarks	

