



# Internal sun shading systems and glare control

## Horizontal awnings

### Expansive

With horizontal awnings, large, internal areas can be stylishly shaded.

### Slender

With cable guidance, the awning seems airy and light.

### Versatile

With the gathered or rolled model, the awning can be designed according to individual requirements.



### Construction limit values

Maximum order width	4500 mm
Maximum order length	14000 mm
Maximum order area	45 m <sup>2</sup>



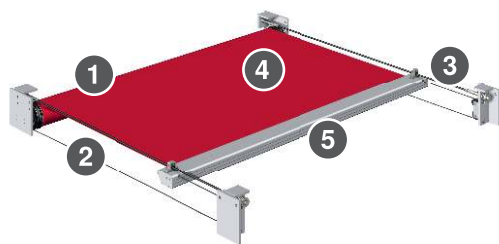
### Product characteristics

- Slender awnings for the shading of large areas.
- The fabric is protected from soiling by being installed under glass.

# Horizontal awning H1

## Components

Horizontal awning H1



- |   |                |   |            |
|---|----------------|---|------------|
| 1 | Shaft          | 4 | Fabric     |
| 2 | Traction cable | 5 | Front rail |
| 3 | Tension cable  |   |            |

### Cover panel, optional

#### Cover panel - H1/H3

Material	Aluminium, folded
Surface	Powder-coated

Model according to situation on-site.

### Shaft

#### Fabric shaft Ø 87 mm

Material	Aluminium, extruded
Surface	Plain
Profile	Groove tube
Diameter	87 mm

#### Fabric shaft Ø 108 mm

Material	Aluminium, extruded
Surface	Plain
Profile	Groove tube
Diameter	108 mm

### Front rail

#### Front rail - W9/W10/W10<sup>2</sup>/W19/W20/H1

Material	Aluminium, extruded
Surface	Powder-coated
Width	94 mm
Height	54 mm

### Traction cable

#### Traction cable

Material	Polyester
Material colour	White
Material, notes	Made from DYNEEMA fibre

## Guide variants

- Cable guidance

### Tension cable

#### Tension cable - H1/H3

Material	Steel
Material colour	Transparent
Coating	Plastic, UV-resistant
Diameter	8 mm

Cable force per fixing point 6 kN

## Drive variants

- Motor

### Motor

- LT50

+ see "Drive variants"

## Colours

- WAREMA Colour World

+ see "WAREMA Colour World", Page 10

## Fabric qualities

- Soltis 92

+ see "Awning collection"

## Notes

Exclusively for installation in positions protected from the influence of weather!

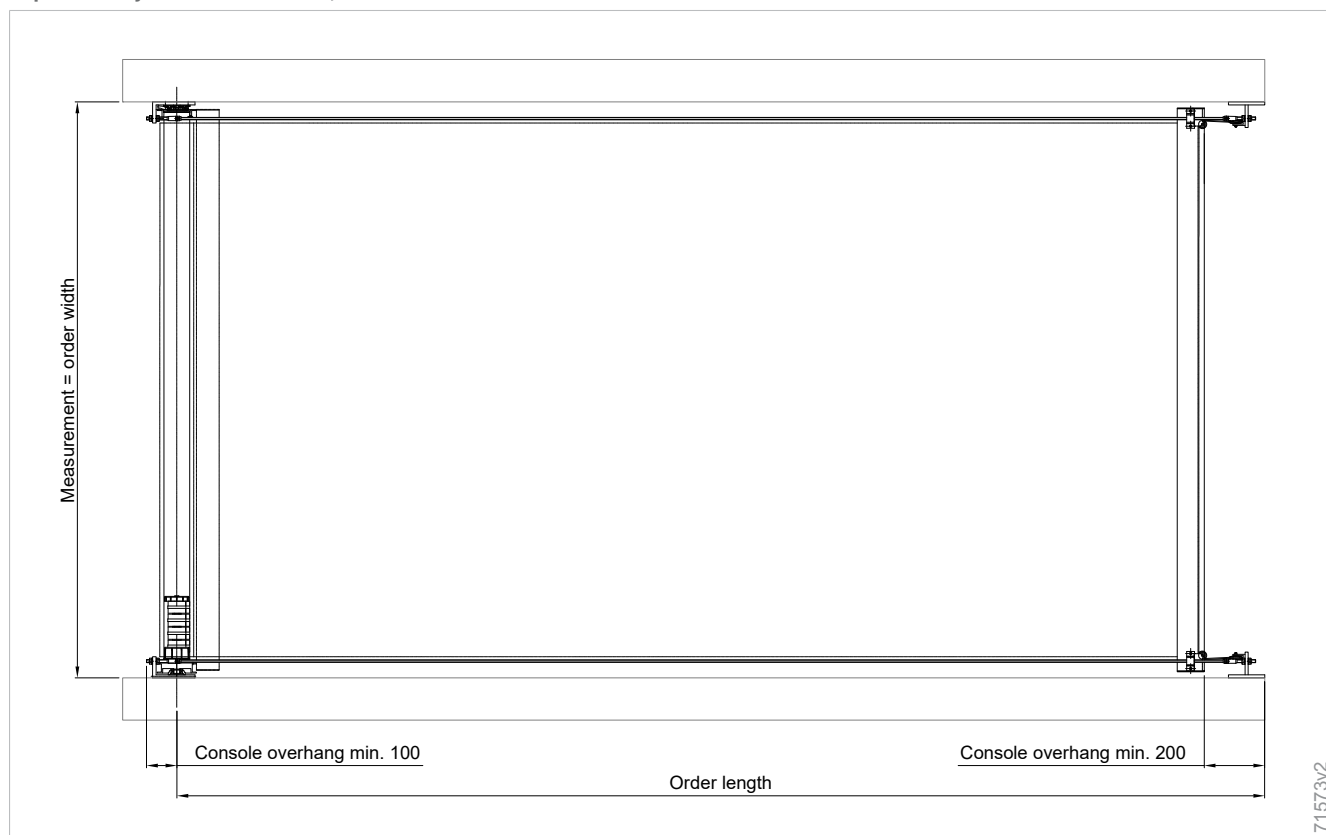
When planning, consider the **accessibility of awnings** for the yearly maintenance.

## Construction limit values

Configuration variants	Minimum order width	Maximum order width	Maximum order length	Maximum order area	Maximum inclination angle
<b>Fabric qualities + Shaft</b>					
Soltis 92 + Fabric shaft Ø 87 mm	1000 mm	3500 mm	7000 mm	20 m <sup>2</sup>	30 °
Soltis 92 + Fabric shaft Ø 108 mm	1000 mm	4500 mm	10000 mm	30 m <sup>2</sup>	30 °
<b>Fabric qualities + Shaft + Supplementary accessories</b>					
Soltis 92 + Fabric shaft Ø 87 mm + VUNO model	1000 mm	3500 mm	7000 mm	20 m <sup>2</sup>	15 °
Soltis 92 + Fabric shaft Ø 108 mm + VUNO model	1000 mm	4500 mm	10000 mm	30 m <sup>2</sup>	15 °

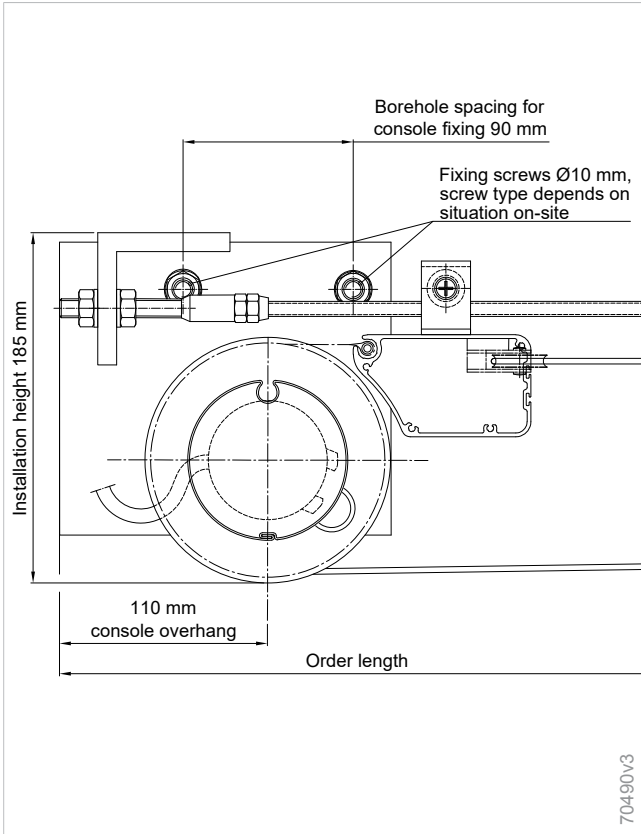
## Dimension determination

Top view – system construction, schematic - H1

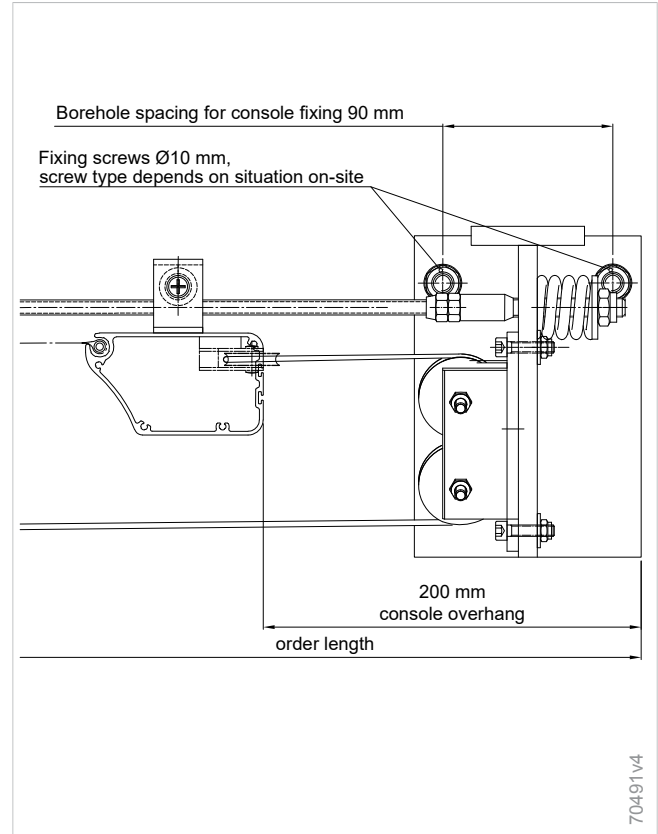


## Details

Fabric shaft area - H1

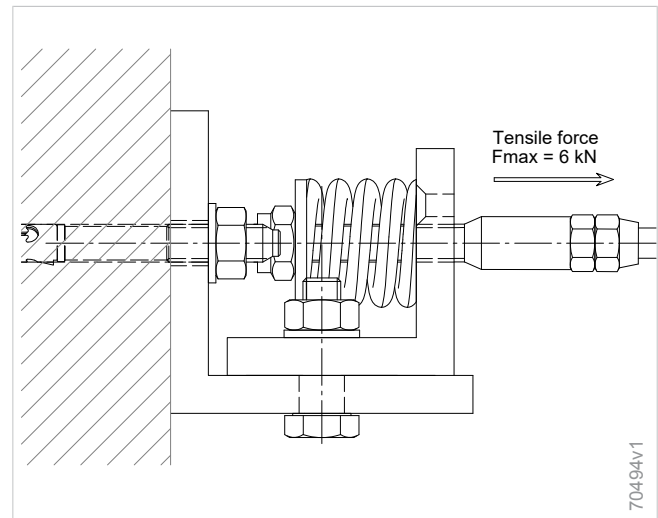


Deflection area - H1



Planning

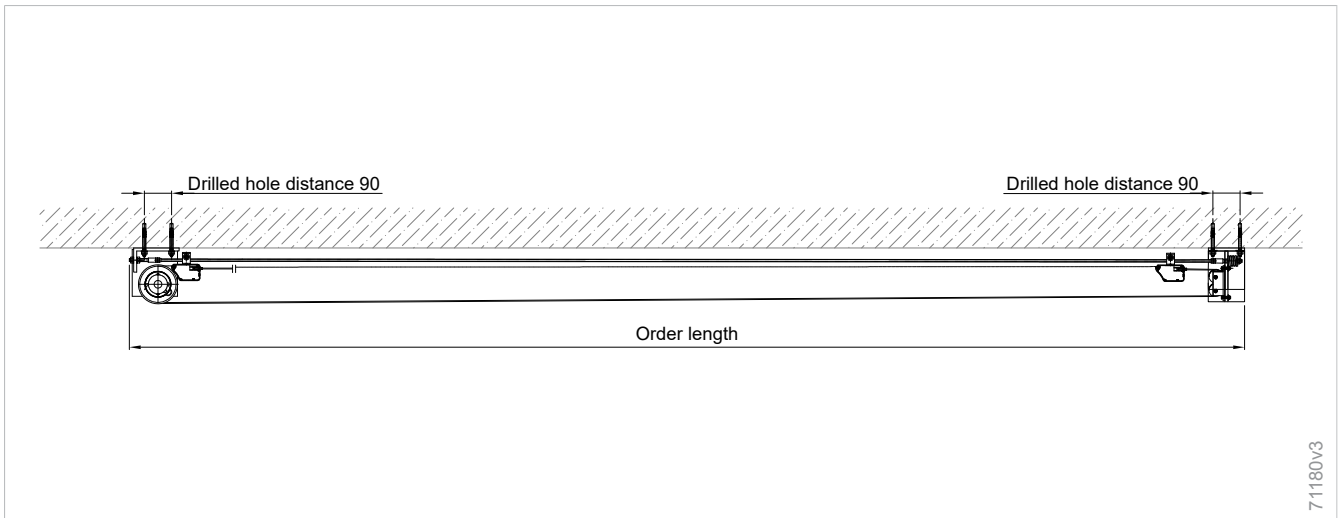
Support cable screw joint - H1/H3



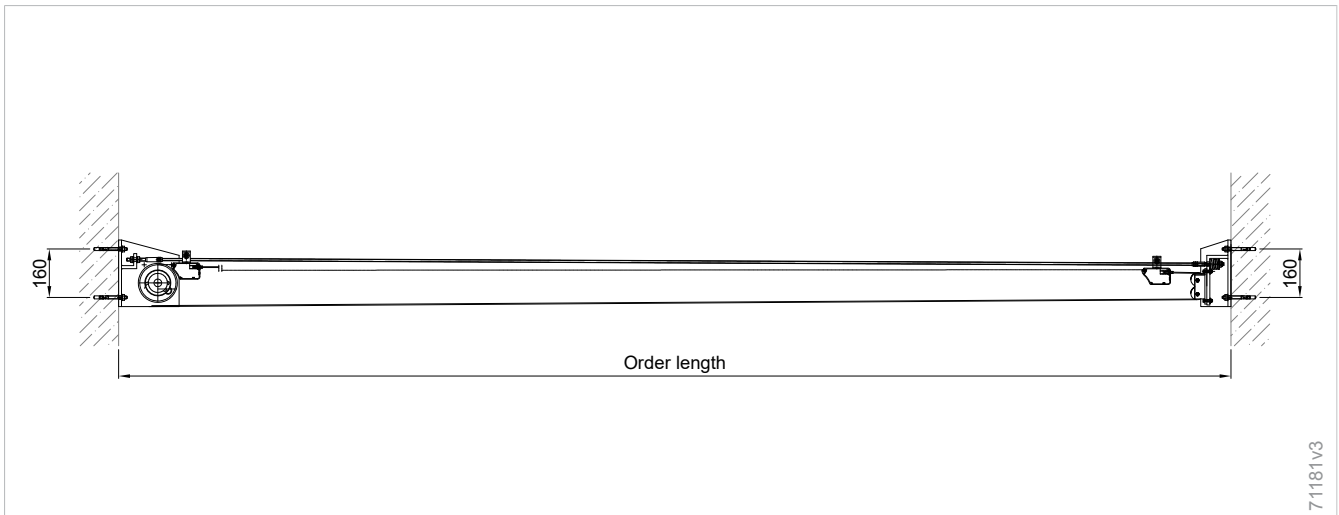
Horizontal awnings

# Mounting examples

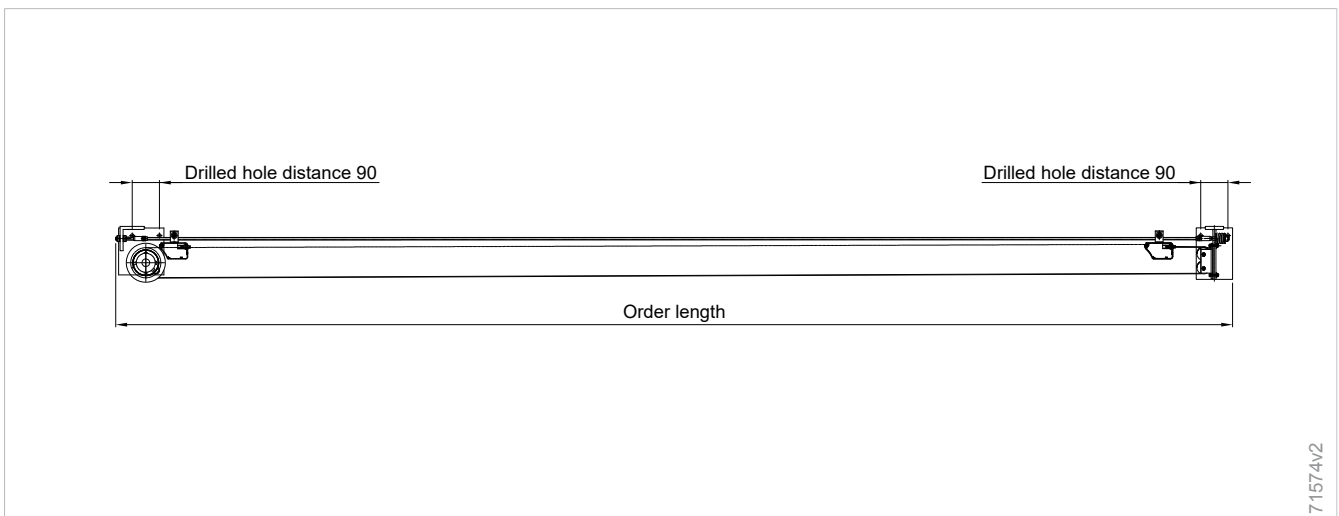
Ceiling installation - H1



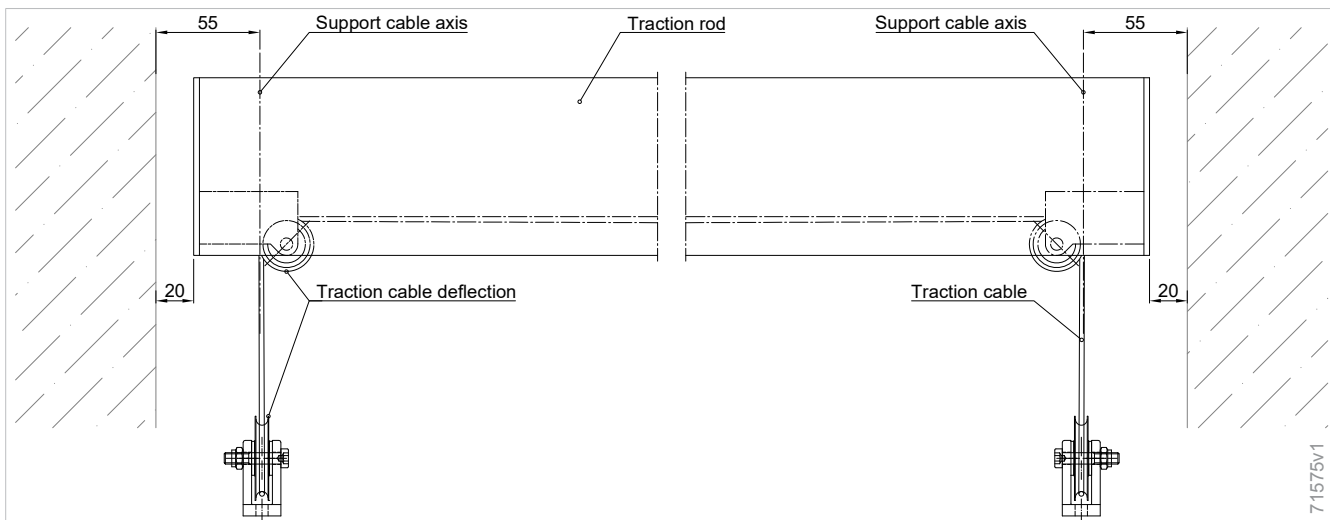
Frontal wall installation - H1



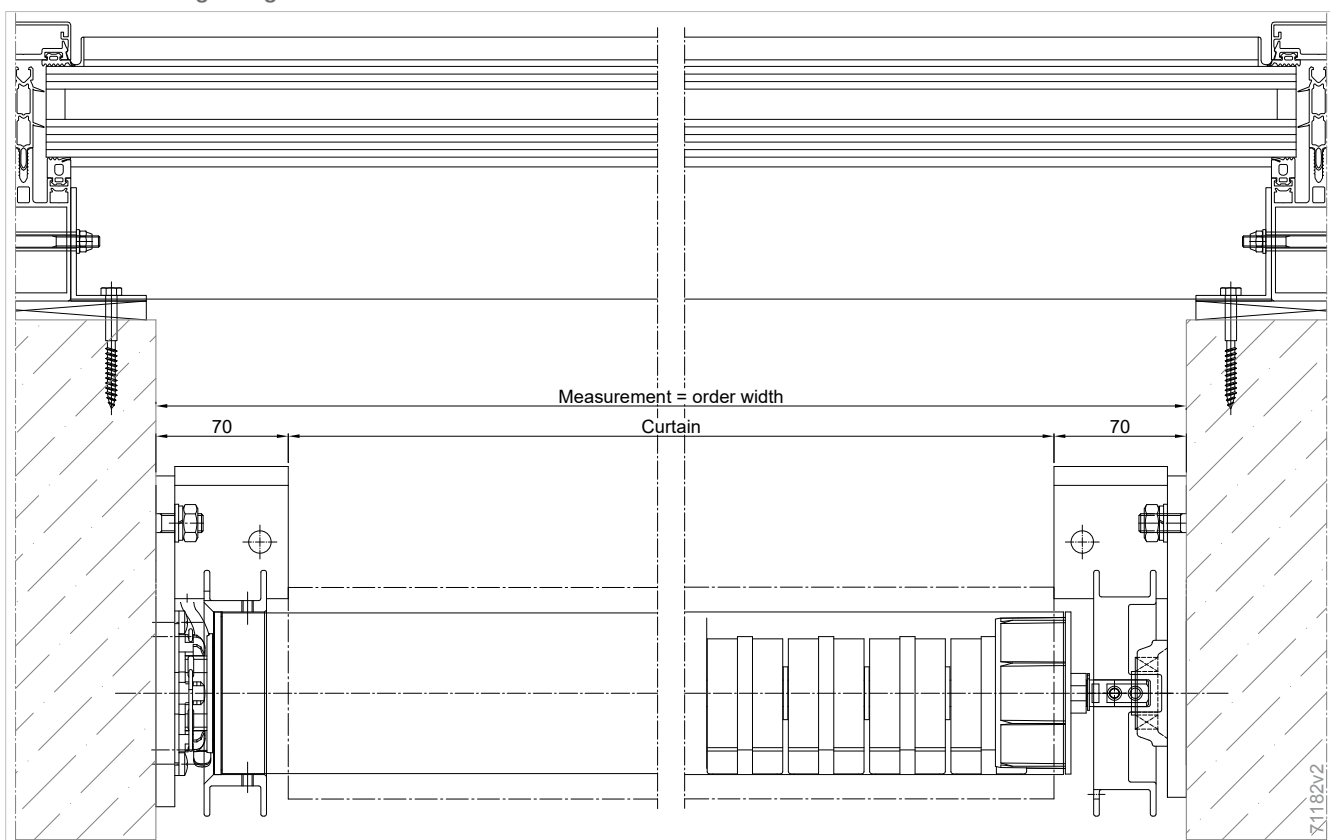
Lateral wall installation - H1



### Front rail with traction cable deflection - H1



### Fabric shaft bearing on a glued beam - H1



Planning

Horizontal awnings

## Further information

Experience the range of colours and fabrics of the WAREMA collections  
<https://www.warema.de/Tools/Kollektionsberater.php>



Use our free planning programme to plan your sun protection systems  
<https://sonenschutzplaner.com/>





### **Melbourne**

6 Plane Tree Ave  
Dingley Village VIC 3172  
+61 3 9558 3006  
sales@shadefactor.com.au

### **Sydney**

7a Green St  
Brookvale NSW 2100  
+61 2 9938 3006  
sales@shadefactor.com.au

### **Perth**

PO Box 3058  
Shelley WA 6148  
+61 8 6147 7492  
sales@shadefactor.com.au